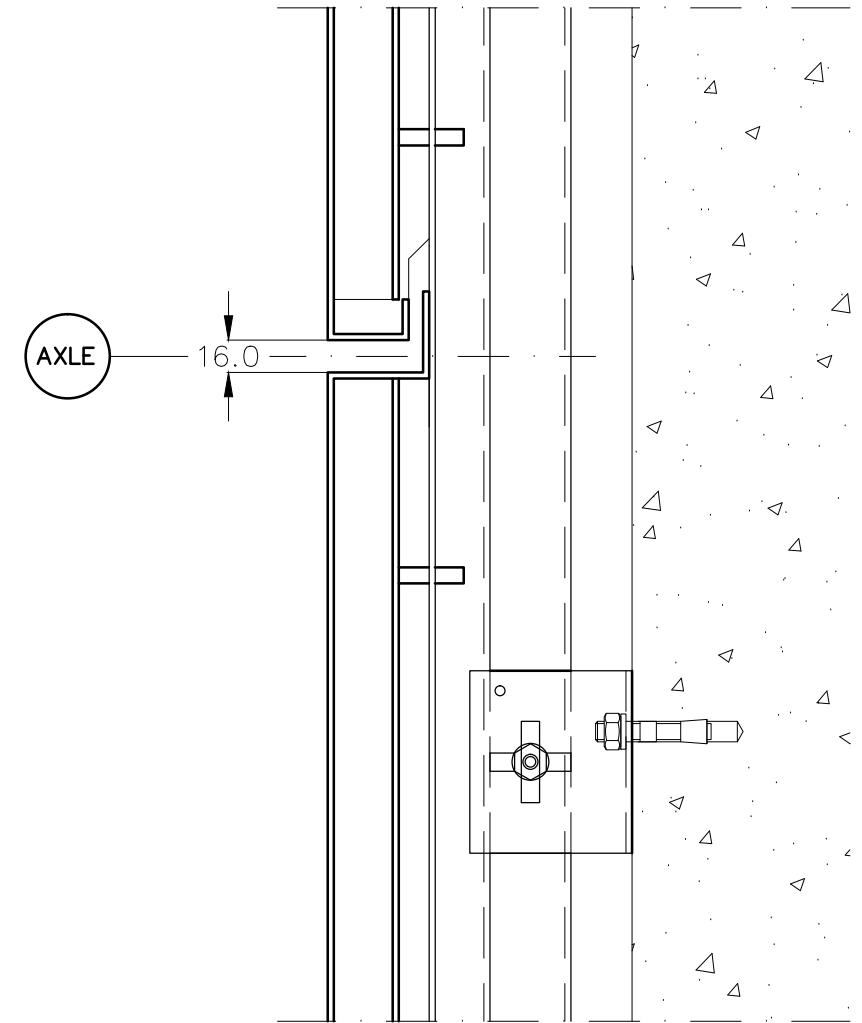
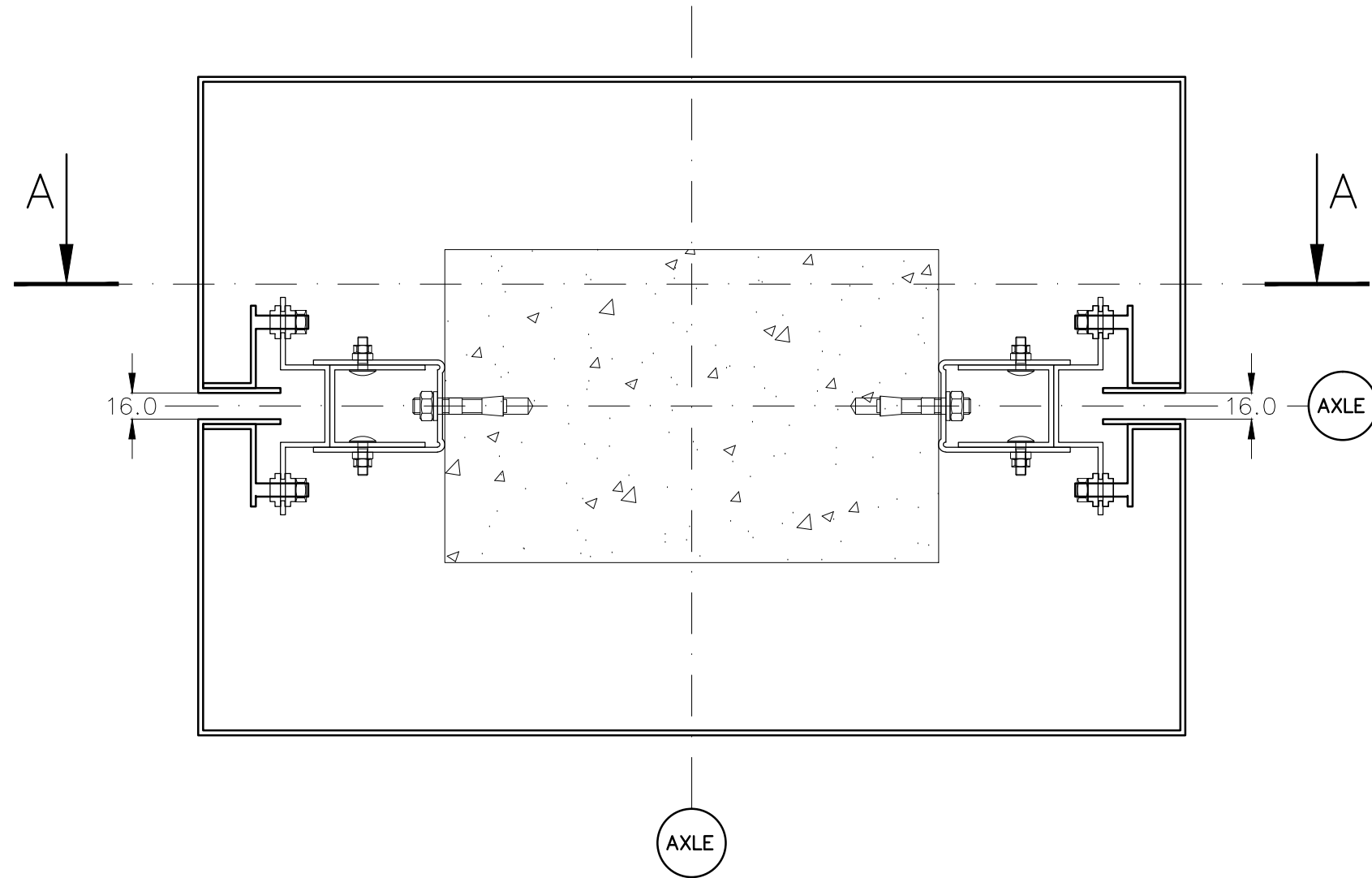


SECTION A



rectangular column cladding with 2 joints