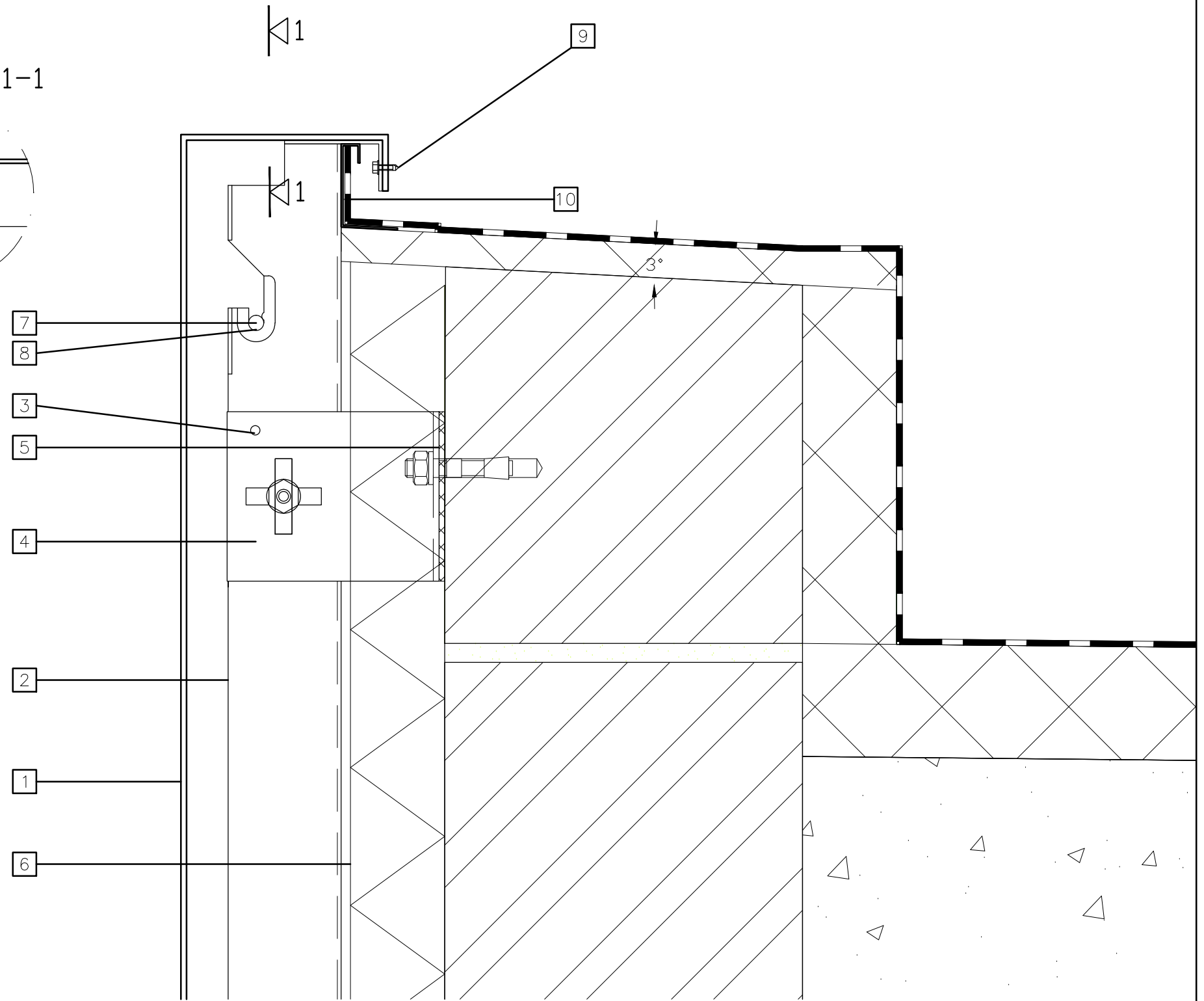
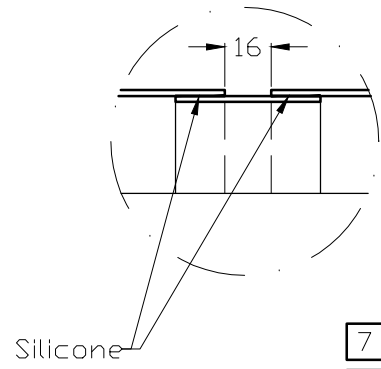


Section 1-1



INDEX

finishing eaves with bitumen	
1	façade cladding alu Limeparts
2	U-profile alu 2mm Limeparts
3	locking pin Limeparts
4	mounting bracket 3mm Limeparts
5	neoprene 3mm Limeparts
6	Insulation Limeparts
7	suspension bolt Limeparts
8	plastic suspension clamp Limeparts
9	fastening Limeparts
10	Limeparts profile